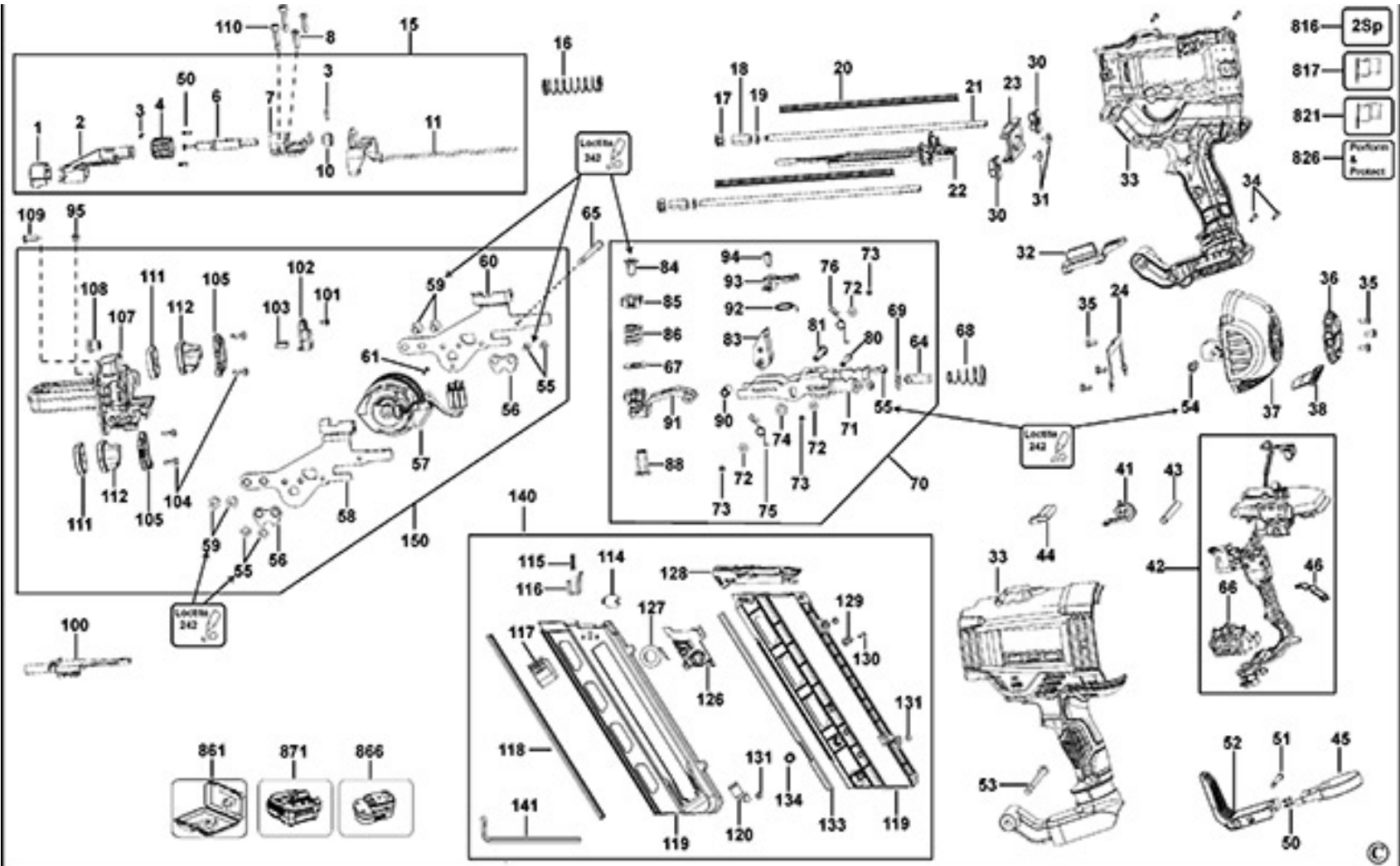


DeWalt DCN695 Schematic



Ref.	Part Code	Description
1	N116163	COVER
2	N093795	ADJUSTER
3	N153045	ROLL PIN
4	N037233	ADJUSTER DEPTH
6	N034174	SHAFT
7	N034374	SUPPORT
8	N093602	SCREW
10	N044294	SLEEVE
11	N380152	TRIP SA
15	N486033	DEPTH STOP SA
16	N061508	SPRING
17	N192671	CAP
18	N088831	BUMPER
19	N088833	WASHER
20	N233943	SPRING COMPRESSION
21	N036350	RAIL
22	N486032	PROFILE
23	N036349	CAP
24	N121870	PLATE
30	N243999	BUMPER
31	N088832	SCREW
33	N380150	HOUSING PAIR
34	330019-24	SCREW
35	N123731	SCREW
36	N365479	COVER
37	N028372	END CAP
38	N130853	WINDOW
41	N055786	ACTUATOR
43	N037216	SPACER
44	N039287	SWITCH LOCK OFF
45	N080411	CLAMP
46	N087259	DETENT
50	326467-00	DETENT
51	N093728	SCREW
52	N080410	HOOK
53	N123751	SCREW
54	N093611	SCREW
55	N093608	SCREW
56	N035847	RETAINING PLATE
57	N473974	MOTOR SA
58	N034749	FRAME LH
59	N477247	SCREW
60	N034750	FRAME RH

61	N056875	SCREW TORX
64	N083640	PIN
65	N093607	SCREW
66	N233949	SOLENOID ASSEMBLY
67	N114861	WASHER
68	N219872	SPRING
69	N114861	WASHER
70	N473189	AXIS & CARRIAGE SA
71	N321159	CARRIAGE
72	330016-25	WASHER
73	391814-00	GROMMET
74	N114961	WASHER
75	N231397	SPRING LH
76	N231398	SPRING RH
80	N083553R	PIN
81	N034920	PIN
83	N233950	ROLLER SA
84	N477247	SCREW
85	N029585	CAP
86	N309239	SPRING
88	N035104	INSERT
90	N259819	SLEEVE
91	N234259	BEAM
92	N086806	SPRING TORSION
93	N086157	LEVER
94	N113536	SCREW
95	N123971	SCREW
100	N233939	INSERT
101	949894-06	SCREW
102	N194170	HOLDER
103	N089554	MAGNET
104	324006-16	SCREW
105	N082940	RETAINER
107	N089737	CASTING
108	N061668	BUSHING
109	330019-11	SCREW.TEMP
110	N061605	SCREW
111	N133209	DAMPER
112	N233940	BUMPER
114	N034726	RETAINER
115	N061545	SPRING COMPRESSION
116	N307220	LOCKING DEVICE
117	N061505	LATCH BUTTON
118	N034716	CLIP

119	N380178	MAGAZINE
120	N114100	LEVER LOCK
126	N054935	PUSHER
127	N128653	SPRING SA
128	N397144	MAGAZINE INTERFACE
129	N061506	INSERT
130	330019-62	SCREW
131	330065-06	SCREW
133	N034743	LINER
134	397893-00	NUT
140	N260859	MAGAZINE SA
141	N061664	HEX KEY
150	N486036	MOTOR SA
861	N137841	KITBOX